

# COMEUP WINCH

## Blazer

### 3.6 Tonnes Championship Winch



PN: 855800 ( 12V )

#### Features Include

- Twin motors and twin sealed contactors offer ultimate performance, speed and power in the worlds toughest winch challenge competitions
- 7.0 hp series wound motors with thermal protection switch.
- 3 stage spur gear train and upright housing are extreme rugged.
- Fastest retrieval speed of 50 meter per minute.
- Ratchet brake outside the drum expedites heat dispersion and also makes the winch ideal for use with synthetic rope.
- Air free-spooling for rapid and easy rope payout
- Submersible sealed contactor
- 63.5 mm diameter x 290 mm long drum is suitable for synthetic rope of 11 mm x 46 m
- Water-proof remote control with thermometric LED indicator alerts when motor overheating.
- Hawse fairlead supplied for recommended synthetic rope.

#### Specifications

Rated line pull:	3,630 kg ( 8,000 lb ) single line
Line speed (1 <sup>st</sup> layer):	50 mpm / 164 fpm 96 A at 12V at no load
Motor:	5,250 w / 7.0 hp 12V series wound x 2 pcs
Gear ratio:	3-stage spur gear train 33.5:1
Clutch (freespooling):	Air free-spooling
Brake (outside the drum):	Ratchet brake hold full load without slippage.
Winch construction:	Aluminum die cast housings with steel drum
Drum size:	63.5 x 197 x 290 mm ( 2.5" x 7.8" x 11.4" )
Control:	Waterproof remote with thermometric indicator LED w/ 5 m cord
Recommended rope:	Synthetic rope
Size:	11 mm x 46 m ( 7/16" x 151' )
Mounting bolts pattern:	330 mm x 114.3 mm ( 13" x 4.5" )

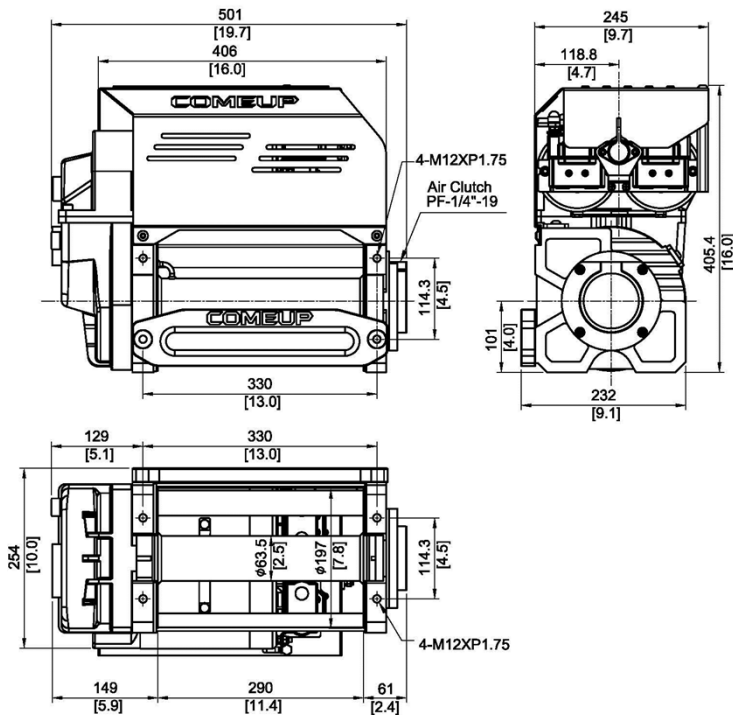
**Comeup Industries Inc.**

Web site: [www.comeupwinch.com](http://www.comeupwinch.com)

Tel: +886-2-2694-7011 Fax: +886-2-2694-7053 Email: [info@comeup.com.tw](mailto:info@comeup.com.tw)  
Address: No.112, Nanyang St., Xizhi Dist., New Taipei City 22152, Taiwan



## Dimension in mm/in



## Performance Data

Line Pull and Rope Capacity		
Layer of Rope	Pull by Layer kg / lb	Total rope on the Drum m / ft
1 <sup>st</sup>	3,630 / 8,000	5.7 / 18.7
2 <sup>nd</sup>	2,802 / 6,177	13.2 / 43.3
3 <sup>rd</sup>	2,282 / 5,031	22.3 / 73.2
4 <sup>th</sup>	1,925 / 4,244	33.2 / 108.9
5 <sup>th</sup>	1,664 / 3,669	46 / 151

Line Speed and Amp. Draw (1 <sup>st</sup> layer of synthetic rope on the drum)			
Line Pull	Line Speed		Amp. Draw
	kg / lb	mpm	
No Load	50	164	96
910 / 2,000	13.9	45.7	395
1,810 / 4,000	7.0	22.8	572
2,720 / 6,000	2	6.4	728
3,630 / 8,000	0.7	2.3	939

## Standard Accessories

- Remote control w/5 m (17') cord
- Air free-spool clutch fitting
- Hawse fairlead
- Twin sealed contactors
- 1.8 m (6') 2/0 gauge battery lead

## Options Accessories

- Synthetic rope 11 mm x 46 m
- Sling hook

## Package

- Winch weight : 58 kg / 141 lb
- Gross weight : 78 kg / 172 lb
- Box dimension : 640 x 390 x 590 mm  
(25.2" x 15.4" x 23.2")

## Warning

- The winch is not intended to be used in any manner for the movement or lifting of personnel.
- The rated line pull shown is based on the first layer of rope on the drum.
- The synthetic rope winding on the drum shall remain 10 wraps from the drum.

## Warranty

Limited lifetime warranty for mechanical components and one(1) year warranty for electrical components from date of purchase. Synthetic ropes are not included under warranty.

**Comeup Industries Inc.**

Web site: [www.comeupwinch.com](http://www.comeupwinch.com)

Tel: +886-2-2694-7011 Fax: +886-2-2694-7053 Email: [info@comeup.com.tw](mailto:info@comeup.com.tw)  
Address: No.112, Nanyang St., Xizhi Dist., New Taipei City 22152, Taiwan

